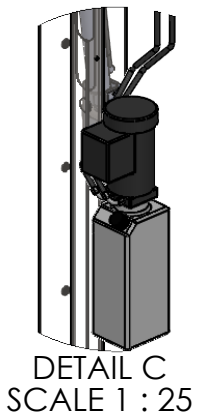
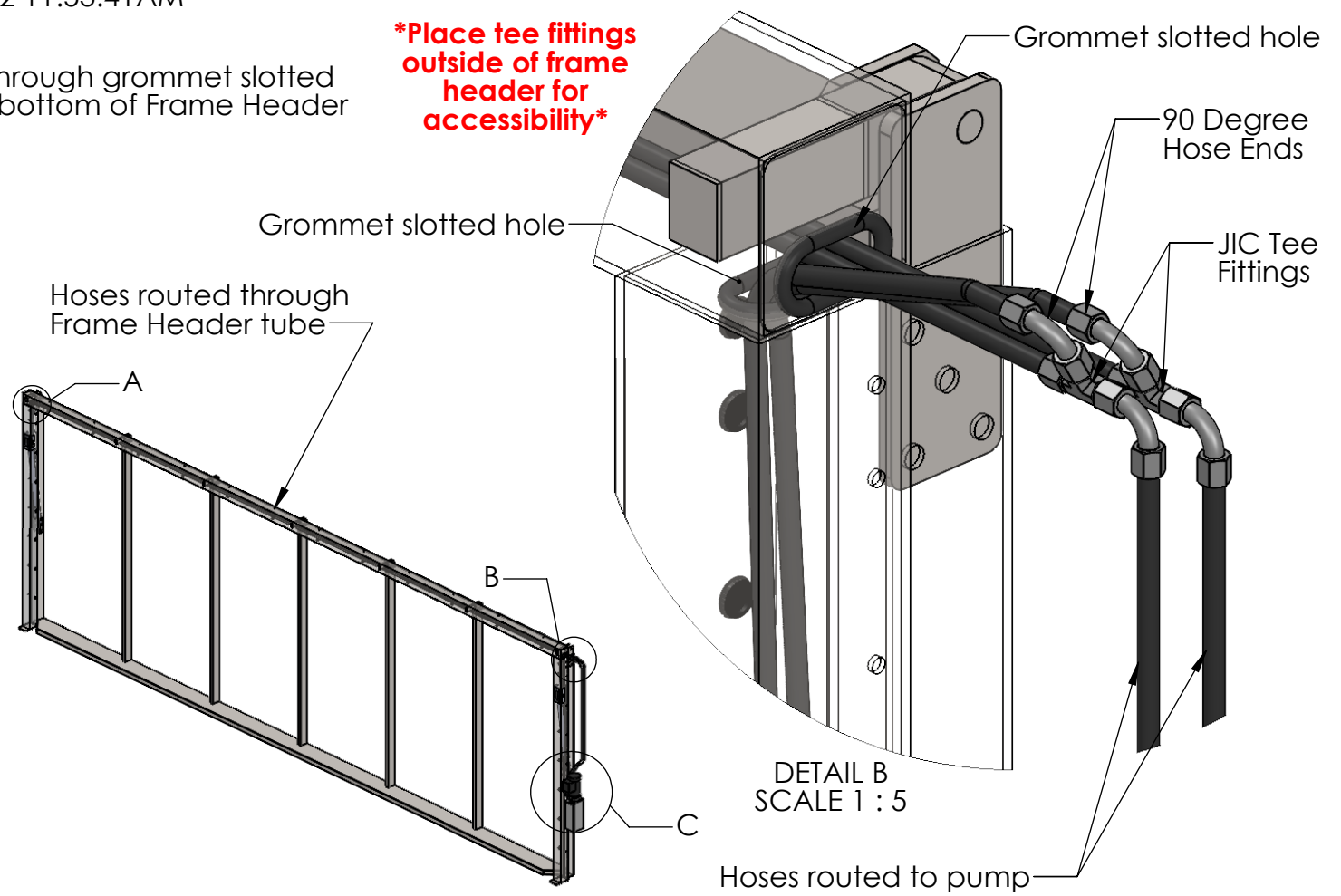
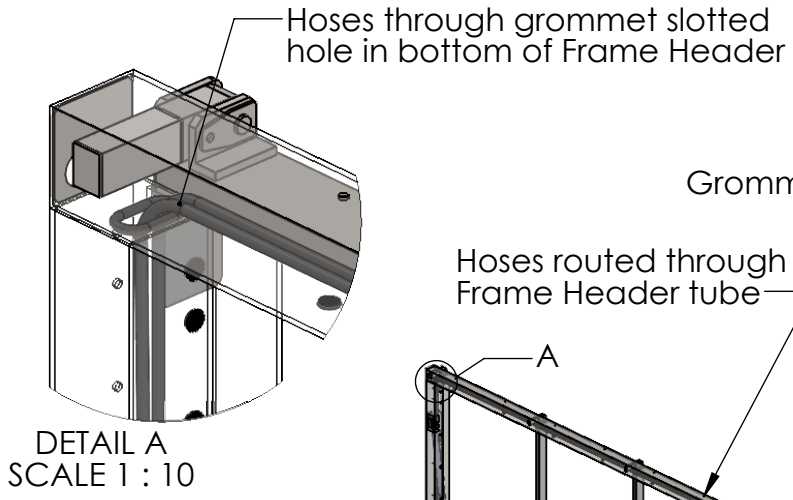


Wednesday, May 18, 2022 11:53:41 AM

**\*Place tee fittings outside of frame header for accessibility\***

B

B



A

A

**PROPRIETARY AND CONFIDENTIAL**  
 THE INFORMATION CONTAINED IN THIS DRAWING IS THE SOLE PROPERTY OF HYDAWAY HYDRAULIC WALLS. ANY REPRODUCTION IN PART OR AS A WHOLE WITHOUT THE WRITTEN PERMISSION OF HYDAWAY HYDRAULIC WALLS IS PROHIBITED.

		UNLESS OTHERWISE SPECIFIED:		NAME	DATE	Part Number
		DIMENSIONS ARE IN INCHES TOLERANCES: FRACTIONAL ± ANGULAR: MACH ± BEND ± TWO PLACE DECIMAL ± THREE PLACE DECIMAL ±		DRAWN		TITLE: <b>HydAway Hydraulic Wall Hose Routing Detail</b>
		INTERPRET GEOMETRIC TOLERANCING PER: ASME Y14. 5-2009		CHECKED		
		MATERIAL		ENG APPR.		
		FINISH		MFG APPR.		
		NEXT ASSY		Q.A.		
USED ON		APPLICATION		COMMENTS:		SIZE <b>A</b>
		DO NOT SCALE DRAWING				Door Type(s) Large Frame HydAway Wall
						REV <b>A</b>
						SCALE: 1:96 WEIGHT:
						SHEET 1 OF 1

