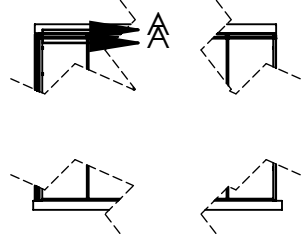


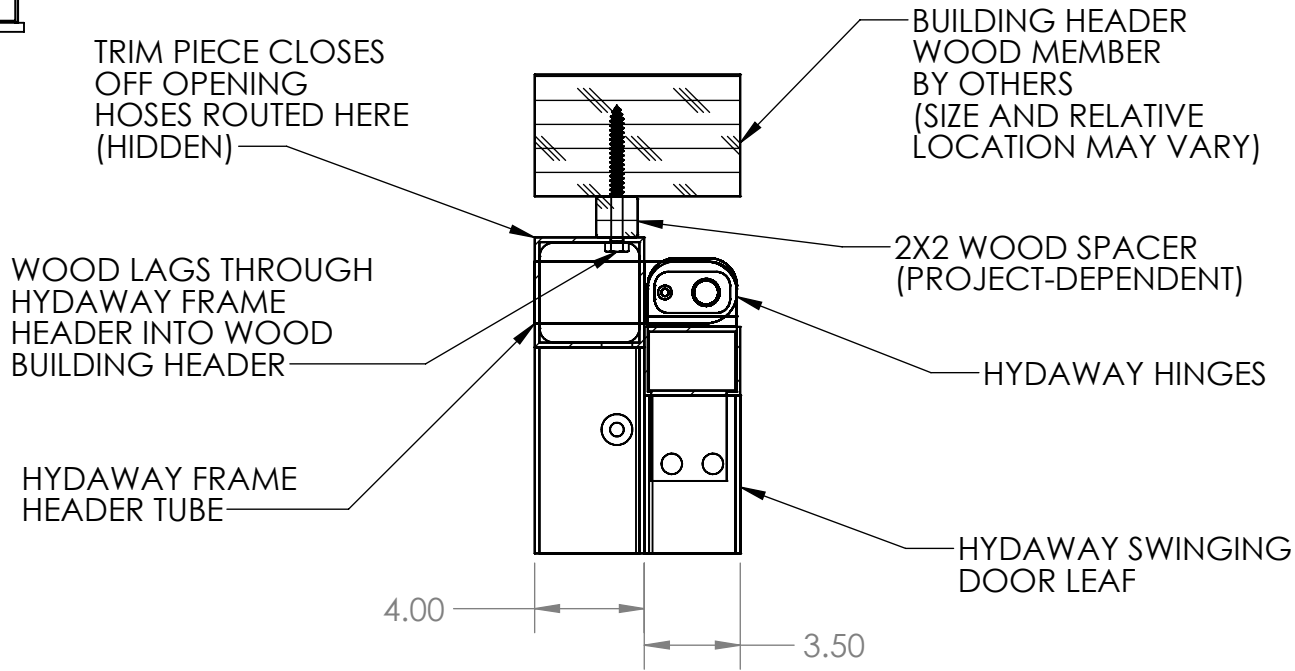
Wednesday, November 30, 2022 9:02:39 AM

HYDAWAY SMALL FRAME HEAD DETAIL (SOLID WOOD BUILDING HEAD MEMBER)



B

B



SECTION A-A
SCALE 1 : 7

PROPRIETARY AND CONFIDENTIAL

THE INFORMATION CONTAINED IN THIS DRAWING IS THE SOLE PROPERTY OF HYDAWAY HYDRAULIC WALLS. ANY REPRODUCTION IN PART OR AS A WHOLE WITHOUT THE WRITTEN PERMISSION OF HYDAWAY HYDRAULIC WALLS IS PROHIBITED.



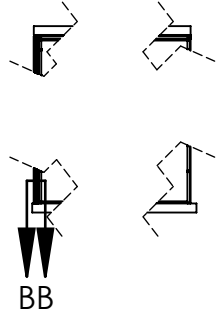
		UNLESS OTHERWISE SPECIFIED:	NAME	DATE
		DIMENSIONS ARE IN INCHES TOLERANCES: FRACTIONAL ± ANGULAR: MACH ± BEND ± TWO PLACE DECIMAL ± THREE PLACE DECIMAL ±	DRAWN	
		INTERPRET GEOMETRIC TOLERANCING PER: ASME Y14. 5-2009	CHECKED	
		MATERIAL	ENG APPR.	
NEXT ASSY	USED ON	FINISH	MFG APPR.	
APPLICATION		DO NOT SCALE DRAWING	Q.A.	
			COMMENTS:	

Part Number	N/A	
TITLE:	Wood Jamb with Solid Wood Header	
SIZE	Door Type(s)	REV
A	Small Frame HydAway Wall	A
SCALE: 1:25	WEIGHT:	SHEET 1 OF 3

A

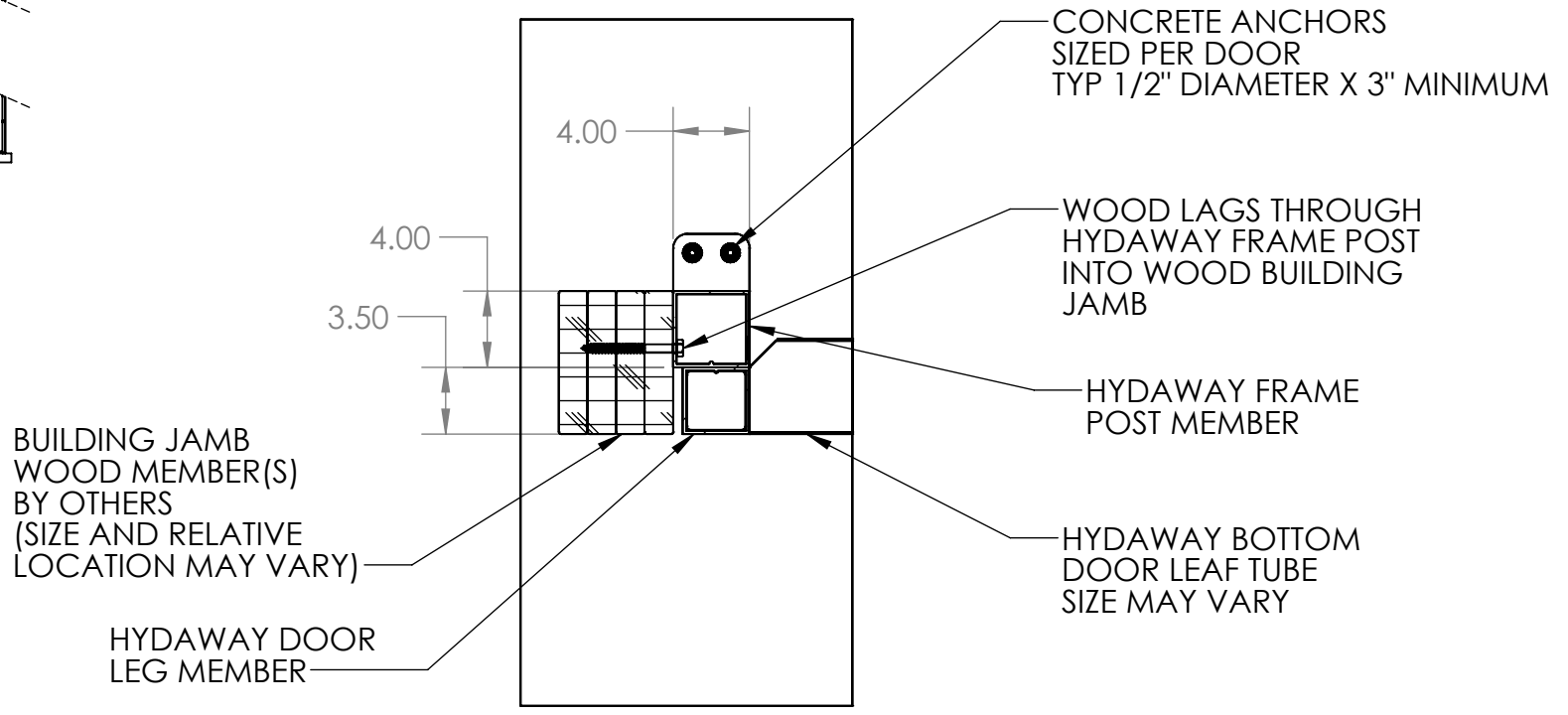
A

HYDAWAY SMALL FRAME JAMB DETAIL (WOOD BUILDING JAMB MEMBER)



B

B



SECTION B-B
SCALE 1 : 10

PROPRIETARY AND CONFIDENTIAL

THE INFORMATION CONTAINED IN THIS DRAWING IS THE SOLE PROPERTY OF HYDAWAY HYDRAULIC WALLS. ANY REPRODUCTION IN PART OR AS A WHOLE WITHOUT THE WRITTEN PERMISSION OF HYDAWAY HYDRAULIC WALLS IS PROHIBITED.



		UNLESS OTHERWISE SPECIFIED:		NAME	DATE
		DIMENSIONS ARE IN INCHES	DRAWN		
		TOLERANCES:	CHECKED		
		FRACTIONAL ±	ENG APPR.		
		ANGULAR: MACH ± BEND ±	MFG APPR.		
		TWO PLACE DECIMAL ±	Q.A.		
		THREE PLACE DECIMAL ±	COMMENTS:		
		INTERPRET GEOMETRIC TOLERANCING PER: ASME Y14. 5-2009			
		MATERIAL			
		FINISH			
NEXT ASSY	USED ON				
APPLICATION		DO NOT SCALE DRAWING			

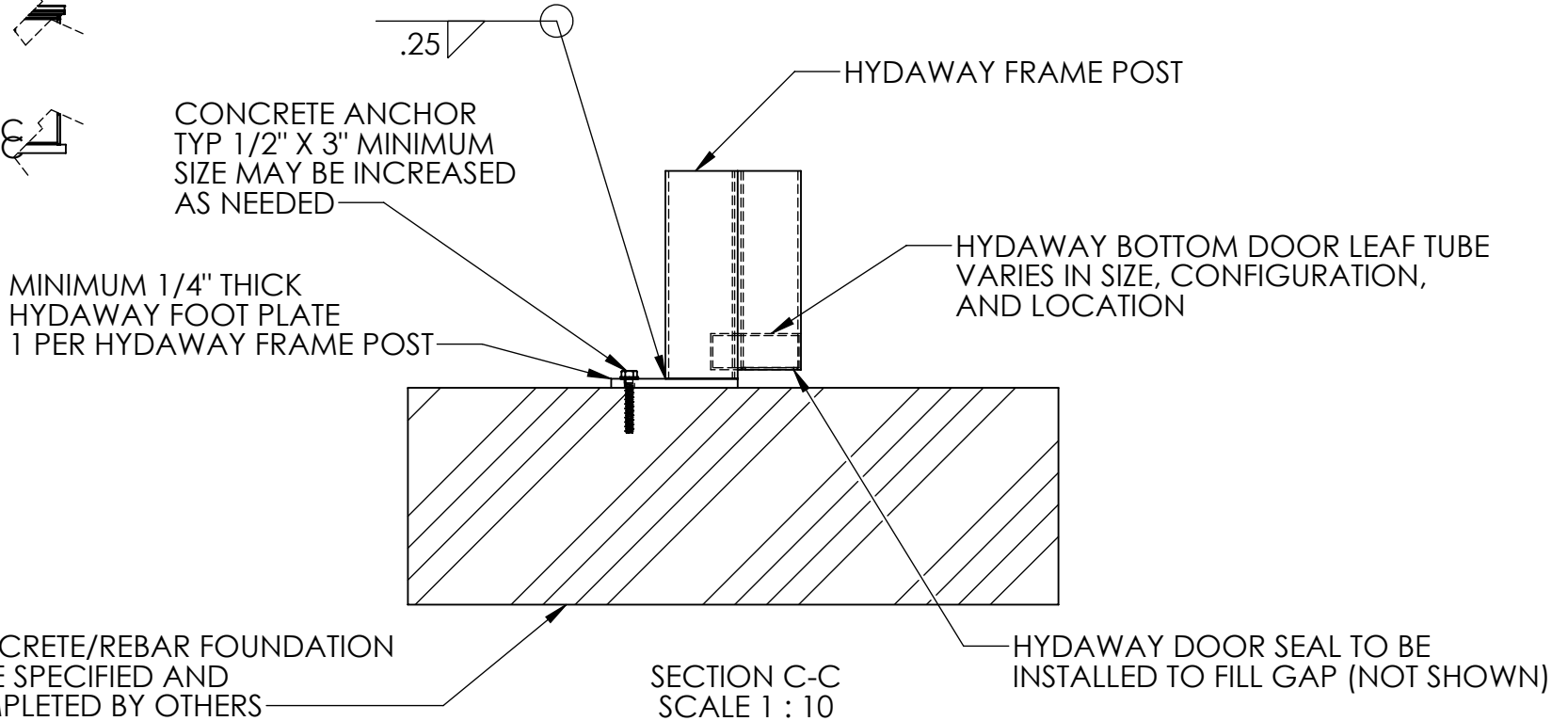
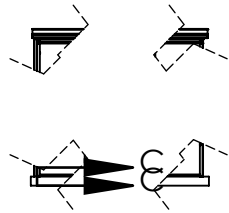
Part Number	N/A	
TITLE:	Wood Jamb with Solid Wood Header	
SIZE	Door Type(s)	REV
A	Small Frame HydAway Wall	A
SCALE: 1:25	WEIGHT:	SHEET 2 OF 3

A

A

Wednesday, November 30, 2022 9:02:39 AM

HYDAWAY SMALL FRAME SILL DETAIL



B

B

A

A

PROPRIETARY AND CONFIDENTIAL

THE INFORMATION CONTAINED IN THIS DRAWING IS THE SOLE PROPERTY OF HYDAWAY HYDRAULIC WALLS. ANY REPRODUCTION IN PART OR AS A WHOLE WITHOUT THE WRITTEN PERMISSION OF HYDAWAY HYDRAULIC WALLS IS PROHIBITED.



		UNLESS OTHERWISE SPECIFIED:		NAME	DATE
		DIMENSIONS ARE IN INCHES	DRAWN		
		TOLERANCES:	CHECKED		
		FRACTIONAL ±	ENG APPR.		
		ANGULAR: MACH ± BEND ±	MFG APPR.		
		TWO PLACE DECIMAL ±	Q.A.		
		THREE PLACE DECIMAL ±	COMMENTS:		
		INTERPRET GEOMETRIC TOLERANCING PER: ASME Y14. 5-2009			
		MATERIAL			
		FINISH			
NEXT ASSY	USED ON				
APPLICATION		DO NOT SCALE DRAWING			

Part Number	N/A	
TITLE:	Wood Jamb with Solid Wood Header	
SIZE	Door Type(s)	REV
A	Small Frame HydAway Wall	A
SCALE: 1:25	WEIGHT:	SHEET 3 OF 3