

Wednesday, May 18, 2022 11:53:41 AM

Place tee fittings outside of frame header for accessibility

Hoses through grommet slotted hole in bottom of Frame Header

Grommet slotted hole

90 Degree Hose Ends

JIC Tee Fittings

Grommet slotted hole

Hoses routed through Frame Header tube

DETAIL B
SCALE 1 : 5

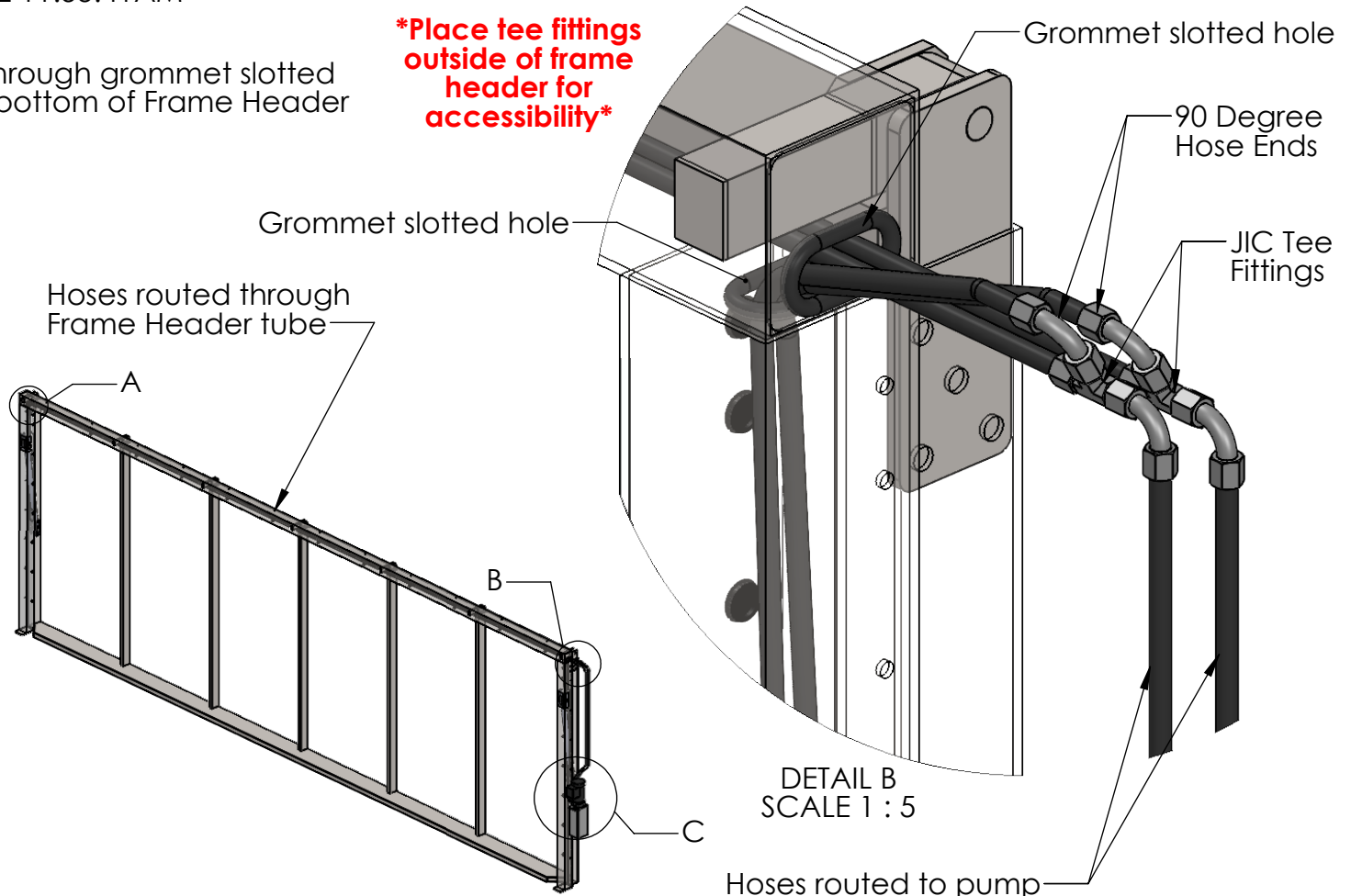
Hoses routed to pump

B

B

DETAIL A
SCALE 1 : 10

DETAIL C
SCALE 1 : 25



PROPRIETARY AND CONFIDENTIAL

THE INFORMATION CONTAINED IN THIS DRAWING IS THE SOLE PROPERTY OF HYDAWAY HYDRAULIC WALLS. ANY REPRODUCTION IN PART OR AS A WHOLE WITHOUT THE WRITTEN PERMISSION OF HYDAWAY HYDRAULIC WALLS IS PROHIBITED.



		UNLESS OTHERWISE SPECIFIED:		NAME	DATE	Part Number
		DIMENSIONS ARE IN INCHES	DRAWN			TITLE: HydAway Hydraulic Wall Hose Routing Detail
		TOLERANCES:	CHECKED			
		FRACTIONAL ±	ENG APPR.			
		ANGULAR: MACH ± BEND ±	MFG APPR.			
		TWO PLACE DECIMAL ±	Q.A.			
		THREE PLACE DECIMAL ±	COMMENTS:			SIZE
		INTERPRET GEOMETRIC TOLERANCING PER: ASME Y14. 5-2009				Door Type(s)
		MATERIAL				Large Frame HydAway Wall
		FINISH				REV
	NEXT ASSY	USED ON				A
						SCALE: 1:96 WEIGHT:
	APPLICATION	DO NOT SCALE DRAWING				SHEET 1 OF 1

A

A