

Monday, May 23, 2022 3:09:53 PM

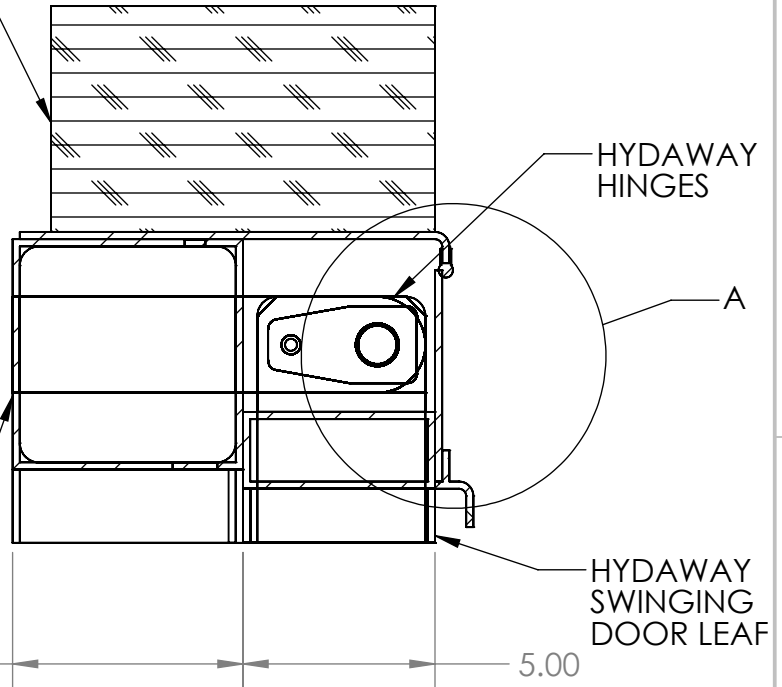
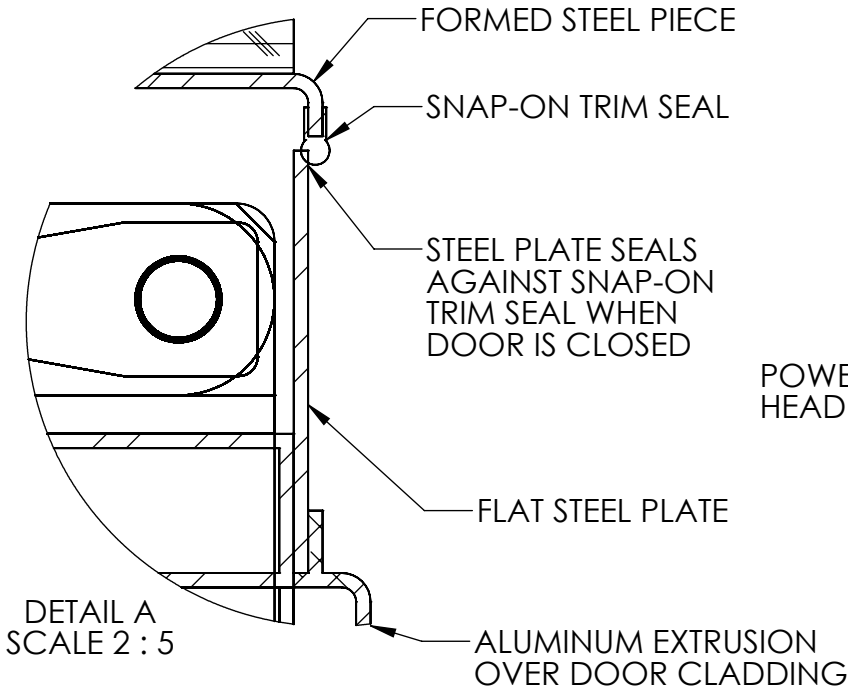
LARGE FRAME HYDAWAY WALL HEAD DETAIL (TRIM SEAL)



BUILDING HEAD MEMBER BY OTHERS
(SIZE, COMPOSITION AND RELATIVE
LOCATION MAY VARY)

B

B



PROPRIETARY AND CONFIDENTIAL

THE INFORMATION CONTAINED IN THIS DRAWING IS THE SOLE PROPERTY OF HYDAWAY HYDRAULIC WALLS. ANY REPRODUCTION IN PART OR AS A WHOLE WITHOUT THE WRITTEN PERMISSION OF HYDAWAY HYDRAULIC WALLS IS PROHIBITED.



		UNLESS OTHERWISE SPECIFIED:		NAME	DATE
		DIMENSIONS ARE IN INCHES	DRAWN		
		TOLERANCES:	CHECKED		
		FRACTIONAL ±	ENG APPR.		
		ANGULAR: MACH ± BEND ±	MFG APPR.		
		TWO PLACE DECIMAL ±	Q.A.		
		THREE PLACE DECIMAL ±	COMMENTS:		
		INTERPRET GEOMETRIC TOLERANCING PER: ASME Y14. 5-2009			
		MATERIAL			
		FINISH			
NEXT ASSY	USED ON				
APPLICATION		DO NOT SCALE DRAWING			

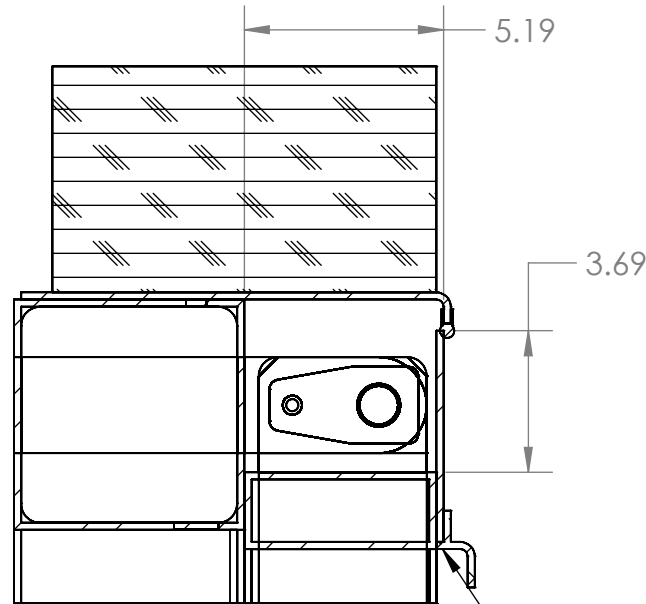
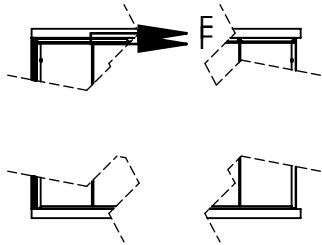
Part Number	N/A	
TITLE:	Large Frame HydAway Wall Trim Seal Detail	
SIZE	Door Type(s)	REV
A	Large Frame HydAway Wall	A
SCALE: 1:25&WEIGHT:	SHEET 1 OF 2	

A

A

Monday, May 23, 2022 3:09:53 PM

LARGE FRAME HYDAWAY WALL HEAD DETAIL (TRIM SEAL)



SECTION F-F
SCALE 1 : 5

ALUMINUM TRIM
FLUSH WITH TOP OF
CLADDING/GLASS

PROPRIETARY AND CONFIDENTIAL

THE INFORMATION CONTAINED IN THIS DRAWING IS THE SOLE PROPERTY OF HYDAWAY HYDRAULIC WALLS. ANY REPRODUCTION IN PART OR AS A WHOLE WITHOUT THE WRITTEN PERMISSION OF HYDAWAY HYDRAULIC WALLS IS PROHIBITED.



		UNLESS OTHERWISE SPECIFIED:		NAME	DATE
		DIMENSIONS ARE IN INCHES	DRAWN		
		TOLERANCES:	CHECKED		
		FRACTIONAL ±	ENG APPR.		
		ANGULAR: MACH ± BEND ±	MFG APPR.		
		TWO PLACE DECIMAL ±	Q.A.		
		THREE PLACE DECIMAL ±	COMMENTS:		
		INTERPRET GEOMETRIC TOLERANCING PER: ASME Y14. 5-2009			
		MATERIAL			
		FINISH			
NEXT ASSY	USED ON				
APPLICATION		DO NOT SCALE DRAWING			

Part Number	N/A	
TITLE:	Large Frame HydAway Wall Trim Seal Detail	
SIZE	Door Type(s)	REV
A	Large Frame HydAway Wall	A
SCALE: 1:25	WEIGHT:	SHEET 2 OF 2